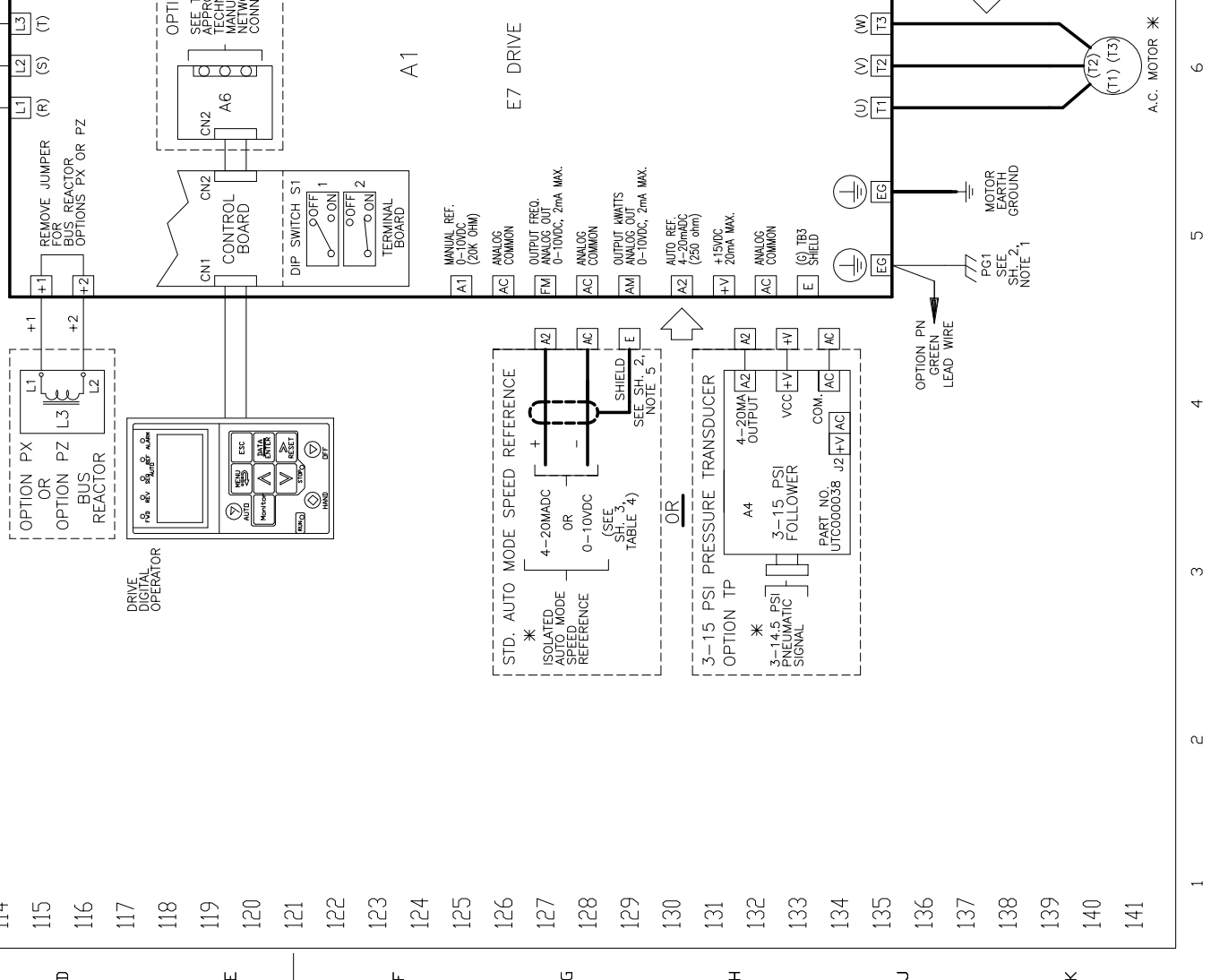
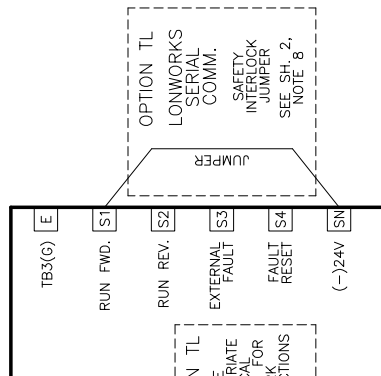
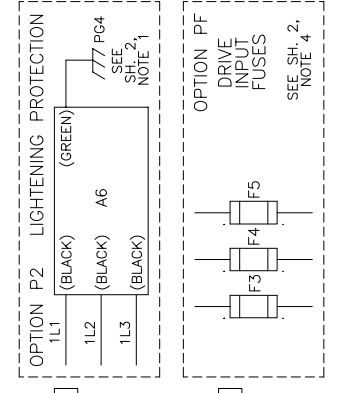
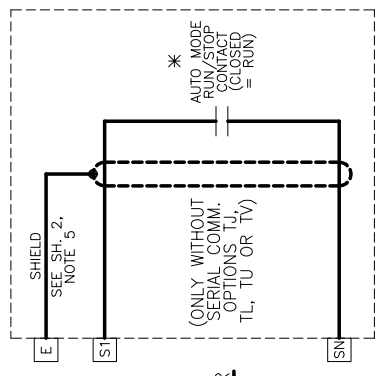
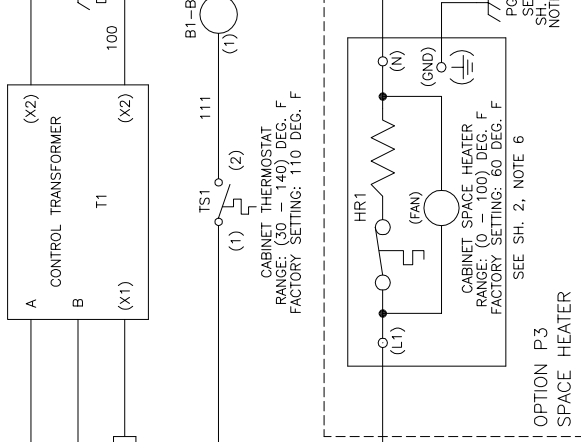


CONTROL TRANSFORMER PRIMARY CONNECTIONS		
INPUT VOLTS	TERMINALS	JUMPER LOCATION
208	(H1) (H2)	NONE
230/240	(H1) (H4)	(H1) TO (H3)
460/480	(H1) (H4)	(H2) TO (H3)



\* - INDICATES COMPONENTS NOT SUPPLIED BY YASKAWA.  
 - - SEE SHEETS 2 AND 3 FOR NOTES AND TABLES.

**YASKAWA**

THIS DOCUMENT AND INFORMATION CONTAINED HEREIN IS CONFIDENTIAL AND CANNOT BE REPRODUCED OR DISCLOSED IN WHOLE OR IN PART WITHOUT THE EXPRESS WRITTEN CONSENT OF YASKAWA ELECTRIC AMERICA INC.

DRAWN BY: D.R. CMELAK	DATE: 6/22/07	TITLE: SCHEMATIC DIAGRAM E7 CONFIGURED
CHECKED BY: K. FLIERL	DATE: 6/22/07	
APPROVED BY: J. ZUEHLKE	DATE: 6/22/07	
DESIGNED BY: D.R. CMELAK	DATE: 5/7/07	

SIZE: D	REVISION: R01	PAGE: 1 of 3
DRAWING NO.: DS-E7C.03		




TABLE 4 DRIVE OPERATION MODE SELECTION

OPTION	FACTORY SET E7C CONFIGURED DRIVE PARAMETERS										DRIVE CONTROL BOARD SWITCH S1 SETTING		DRIVE MODE SPEED COMMAND				DRIVE MODE PI CONTROL				DRIVE RUN/STOP CONTROL							
	b1-01	b1-02	b5-01	H1-03 (SS)	H3-08	H3-09	H3-13	H5-02	H5-07	H5-08	1	2	DRIVE KEYPAD d1-01	DRIVE KEYPAD d1-01	DRIVE KEYPAD SERIAL COMM. d1-01	DRIVE KEYPAD SERIAL COMM. d1-01	DRIVE TERMINAL A2 SIGNAL	DRIVE TERMINAL A2 SIGNAL	DRIVE TERMINAL A2 SIGNAL	DRIVE TERMINAL A2 SIGNAL	HAND MODE	HAND MODE	HAND MODE	HAND MODE	HAND MODE	HAND MODE	HAND MODE	
	1	1	0	3	2	2	1	3	1	0																		4-20 MADC
PRESENT	1	1	0	3	2	2	1	3	1	0	OFF	ON	YES	YES														
NONE +	1	1	0	3	0	2	1	3	1	0	OFF	OFF	YES	YES														
NONE	1	1	0	3	0	2	1	3	1	0	OFF	OFF	YES	YES														
TP	1	1	0	3	2	2	1	3	1	0	OFF	ON	YES	YES														
TJ +	2	2	0	3	2	2	0	3	1	1	OFF	ON	YES	YES														
TJ	1	2	0	3	0	2	1	3	1	1	OFF	OFF	YES	YES														
TJ AND TP	1	2	0	3	2	2	1	3	1	1	OFF	ON	YES	YES														
TU +	2	2	0	3	2	2	0	2	1	2	OFF	ON	YES	YES														
TU	1	2	0	3	0	2	1	2	1	2	OFF	OFF	YES	YES														
TU AND TP	1	2	0	3	2	2	1	2	1	2	OFF	ON	YES	YES														
TV +	2	2	0	3	2	2	0	3	1	0	OFF	ON	YES	YES														
TV	1	2	0	3	0	2	1	3	1	0	OFF	OFF	YES	YES														
TV AND TP	1	2	0	3	2	2	1	3	1	0	OFF	ON	YES	YES														
TL +	2	2	0	3	2	2	0	3	0	0	ON	ON	YES	YES														
TL	1	2	0	3	0	2	1	3	0	0	ON	OFF	YES	YES														
TV AND TP	1	2	0	3	2	2	1	3	0	0	ON	ON	YES	YES														
PI CONTROL	1	1	1	19	2	B	0	3	1	0	OFF	ON	YES	YES														
PI CONTROL	1	1	1	19	0	B	0	3	1	0	OFF	OFF	YES	YES														
TJ AND PI	2	2	1	19	0	B	0	3	1	1	OFF	OFF	YES	YES														
TU AND PI	2	2	1	19	0	B	0	2	1	2	OFF	OFF	YES	YES														
TV AND PI	2	2	1	19	0	B	0	3	1	0	OFF	OFF	YES	YES														
TL AND PI	2	2	1	19	0	B	0	3	0	0	ON	OFF	YES	YES														

+ = STANDARD E7C CONFIGURED SET UP  
 ■ = FACTORY 2-WIRE INITIALIZATION/DEFAULT SETTING

SEE SHEET 2 FOR NOTES, AND TABLES 1, 2 AND 3.



**YASKAWA**  
 THIS DOCUMENT AND INFORMATION CONTAINED  
 HEREIN IS CONFIDENTIAL AND CANNOT BE  
 COPIED OR DISCLOSED IN WHOLE OR IN PART  
 WITHOUT THE EXPRESS WRITTEN CONSENT  
 OF YASKAWA ELECTRIC AMERICA, INC.

DATE	6/22/07	DATE	6/22/07
DATE	6/22/07	DATE	6/22/07
DATE	6/22/07	DATE	6/22/07
DATE	6/22/07	DATE	6/22/07

DRAWN BY:	D.R. CMELAK	DATE:	6/22/07
CHECKED:	K. FLIERL	DATE:	6/22/07
TECH:		DATE:	
APPROVED:	J. ZUEHLKE	DATE:	6/22/07
ORIGINAL DESIGNER:	D.R. CMELAK	DATE:	5/1/07

TITLE:	SCHEMATIC DIAGRAM	SIZE:	D
	E7 CONFIGURED	REVISION:	R01
		PAGE:	3 of 3